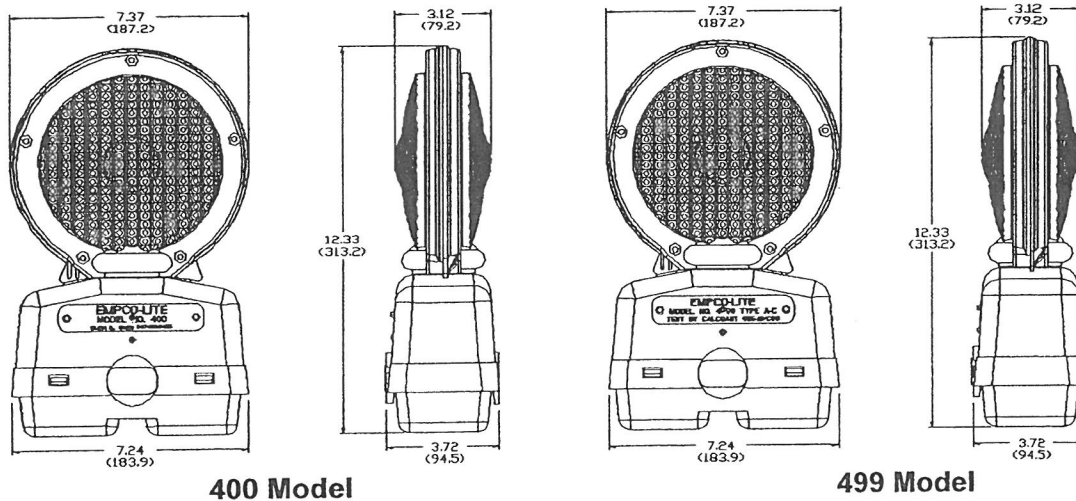


## Specifications for Empco-Lite Model(s):

400 Series, includes Model Numbers 400 and 499:



Empco-Lite P/N:

400 Model: 99-20410

499 Model: 99-20410L

Final Assembly specifications:

- The total weight of the light, 2-6 Volt Spring terminal batteries, and standard bolt: 4.52 lbs./2.052 kg
- The weight of the light, 2-6 Volt Spring terminal batteries: 4.31 lbs./1.957 kg
- The weight of the light: 1.57 lbs./0.713 kg
- The lens is molded out of Polycarbonate.
- The battery case is molded out of Polypropylene

Other specifications:

- Standard Bolt, Description: 3-3/4" Pyramid Bolt, Empco-Lite P/N: 01-00448, material: 1010 Steel, weight: .21 lbs./0.095 kg
- Standard 6 Volt Battery, Description: #4 6V Spring Terminal Battery, Empco-Lite P/N: 01-00187, weight: 1.37 lbs./0.622 kg